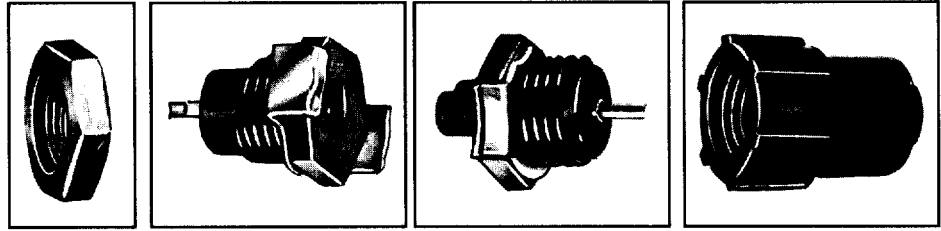


# Rack & Panel

## PM1 Series

### High Voltage, Single Contact / #20 Contacts / .040" Dia. / 7.5 Amps

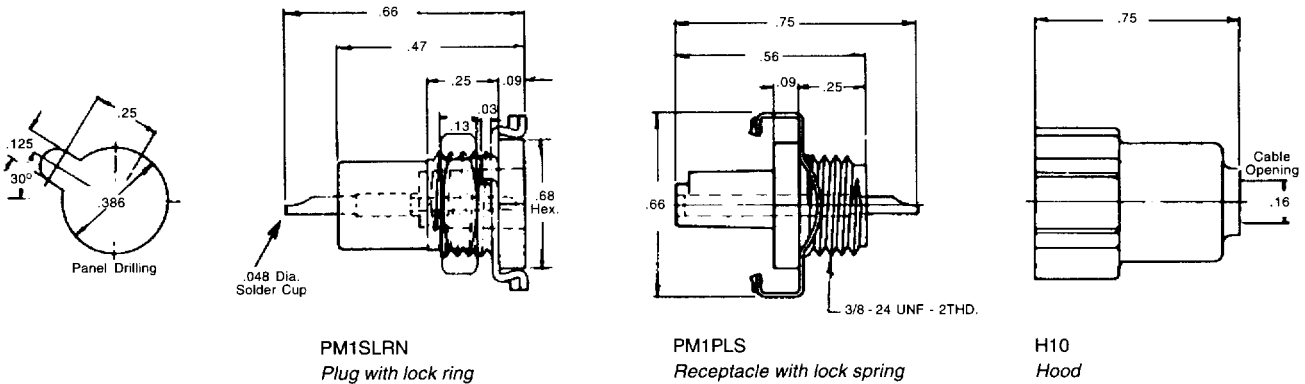


**N** Nylon Nut      **PM1SLR** Plug with lock ring      **PM1PLS** Receptacle with lock spring      **H10** Hood

This connector was developed for applications requiring moderately high voltage ratings, this single contact connector is particularly well adapted to Photo-Flash, Aircraft, Instrumentation and Communications Equipment.

### OUTLINE

Dimensions are for reference only and are subject to change. Outline drawings on request.



**PM1SLRN**  
Plug with lock ring

**PM1PLS**  
Receptacle with lock spring

**H10**  
Hood

### SPECIFICATIONS

**Current Rating:** 7.5 amps

**No. of Contacts:** 1

**Pin Contacts:** .040 dia. brass, gold plated

**Socket Contacts:** Phosphor bronze, gold plated

**Terminations:** .048 solder cup will accept up to #20 AWG stranded wire.

**Electrical Data:** Dielectric withstanding voltage is one minute electrification at 5650 VAC.

**Dielectric:** Molded Diallyl phthalate per MIL-M-14, type SDG-F. Color Gray.

**Polarization:** Permits one engaging position only and prevents rotation of the plug and receptacle with respect to each other.

**Mounting:** Cable or panel mounted. Use nylon nut applied to either plug or receptacle.

**Lock Ring (and lock spring):** Applied to plug or receptacle. Prevents connector rotation on panel and when engaged with lock spring, prevents accidental disconnection due to vibration, etc.

**Hood:** Diallyl Phthalate cable hood

**Weight in Ounces:** Receptacle .05, Plug .05, Washer .005, Hood .07, Lock Ring .017, Lock Spring .019, Nut .015

### ORDERING INFORMATION

- PM1PLR-** Connector, plug with lock ring
- PM1SLS-** Connector, receptacle with lock spring
- PM1PLS-** Connector, plug with lock spring
- PM1SLR-** Connector, receptacle with lock ring
- PM1P-** Connector, plug without vibration lock
- PM1S-** Connector, receptacle without vibration lock

\*Add **H10-** to above numbers when ordering hoods

\*Add **H10C-** to above numbers for hood with cable clamp

Add **N-** to above numbers when ordering nylon nut

\* When ordering hoods separately specify

P/N **H10T34** or **H10CT34**

Winchester Electronics

400 Park Road ■ Watertown, Connecticut 06795-0500 ■ Phone: (860) 945-5000 ■ FAX: (860) 945-5191 ■ Internet: <http://www.litton-wed.com>